

MZ-18-W

EDGE-LIT MODULE

Lightbox LED




 IP65

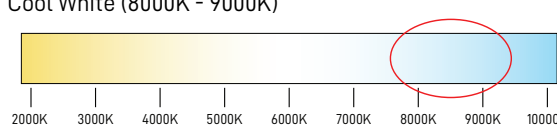

 1.5W


 DC 12V

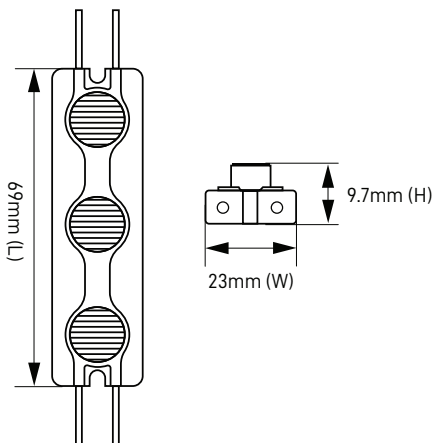

 3
 YEAR
 WARRANTY



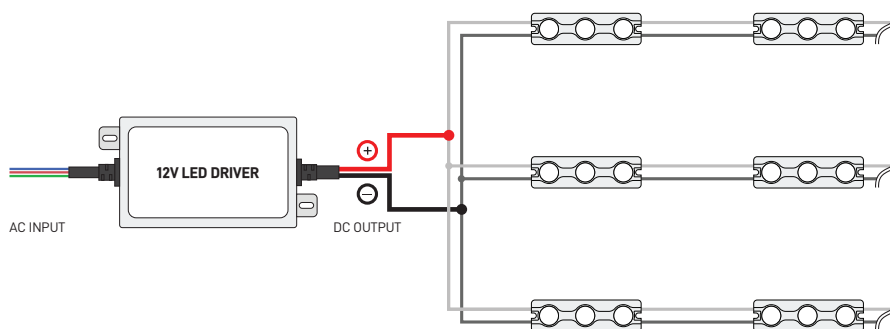
CHARACTERISTICS

Product Code	MZ-18-W	Chipset	Epistar
IP Rating	IP65	Modules Per String	20
Input Voltage	DC 12V	LEDs Per Module	3
Wattage	1.5 Watts	Applications	Edge-lit lightbox
Warranty	3 Year	Dimension (W*H*L)	23*9.7*69mm
Colour Temperature	Cool White (8000K - 9000K) 		

DIMENSIONS



CONNECTION DIAGRAM



Tips and Cautions

- Use a compatible and properly rated power supply.
- Connect them in parallel to ensure consistent brightness.
- Ensure they are evenly distributed for uniform lighting.
- Do not exceed the number of modules per string to avoid voltage drop.
- Disconnect power before servicing to prevent electrical hazards.