

# AT-2 2MM TRIMCAP

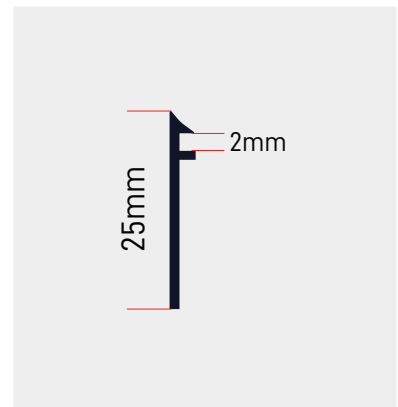
## ★ FEATURES

- Compatible with acrylic, aluminium and foamboard face materials.
- Easy bending and shaping using automatic or manual bending machines and tools.
- Corrosion-resistant—suitable for indoor and outdoor environments.
- Fully recyclable & environmentally friendly.



## 📄 SPECIFICATIONS

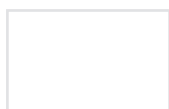
<b>Material</b>	Aluminium Alloy
<b>Surface Finish</b>	Smooth, Colour Coated
<b>Thickness</b>	1mm
<b>Length</b>	3 meters
<b>Height</b>	25mm
<b>Face Slot Depth</b>	2mm
<b>Corrosion Resistance</b>	Excellent (suitable for outdoor use)
<b>Applications</b>	<ul style="list-style-type: none"> <li>• Channel Letters</li> <li>• Light Box Trimcaps</li> <li>• And More</li> </ul>



## 🔄 AVAILABLE COLOURS



Black  
AT-2-BLA



White  
AT-2-WHI



Red  
AT-2-RED



Silver  
AT-2-SIL



Mill-Finish  
AT-2-MIL