

AR-AI-80

80MM TRIMCAP & RETURN

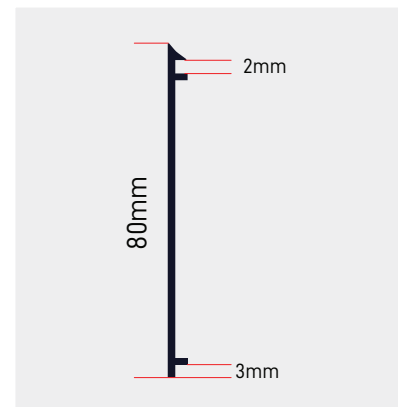
★ FEATURES

- Compatible with acrylic, aluminium and foamboard face and backing materials.
- Easy bending and shaping using automatic or manual bending machines and tools.
- Corrosion-resistant—suitable for indoor and outdoor environments.
- Fully recyclable & environmentally friendly.



📄 SPECIFICATIONS

Material	Aluminium Alloy
Surface Finish	Smooth, Colour Coated
Thickness	1mm
Length	3 meters
Height	80mm
Face Slot Depth	2mm
Backing Slot Depth	3mm
Corrosion Resistance	Excellent (suitable for outdoor use)
Applications	<ul style="list-style-type: none"> • Channel Letters • Light Box Returns • And More



♻️ AVAILABLE COLOURS



White
AR-AI-80-WHI