

# AR-AI-67

## 67MM TRIMCAP & RETURN

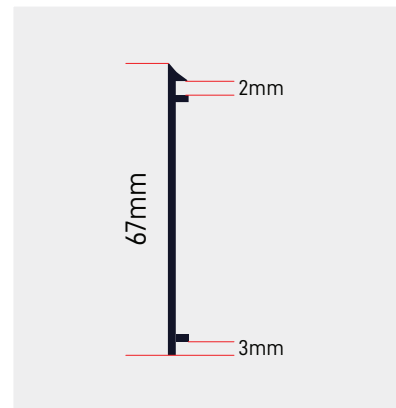
### ★ FEATURES

- Compatible with acrylic, aluminium and foamboard face and backing materials.
- Easy bending and shaping using automatic or manual bending machines and tools.
- Corrosion-resistant—suitable for indoor and outdoor environments.
- Fully recyclable & environmentally friendly.



### 📄 SPECIFICATIONS

<b>Material</b>	Aluminium Alloy
<b>Surface Finish</b>	Smooth, Colour Coated
<b>Thickness</b>	1mm
<b>Length</b>	3 meters
<b>Height</b>	67mm
<b>Face Slot Depth</b>	2mm
<b>Backing Slot Depth</b>	3mm
<b>Corrosion Resistance</b>	Excellent (suitable for outdoor use)
<b>Applications</b>	<ul style="list-style-type: none"> <li>• Channel Letters</li> <li>• Light Box Returns</li> <li>• And More</li> </ul>



### ♻️ AVAILABLE COLOURS



White  
AR-AI-67-WHI