

AR-60-NAN

60MM NANDO'S PROFILE

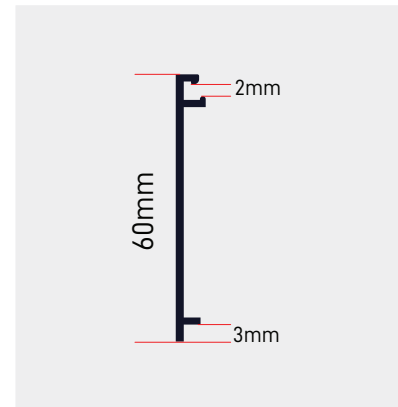
★ FEATURES

- Compatible with acrylic, aluminium and foamboard face and backing materials.
- Easy bending and shaping using automatic or manual bending machines and tools.
- Corrosion-resistant—suitable for indoor and outdoor environments.
- Fully recyclable & environmentally friendly.



📄 SPECIFICATIONS

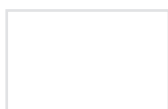
Material	Aluminium Alloy
Surface Finish	Smooth, Colour Coated
Thickness	1mm
Length	3 meters
Height	60mm
Face Slot Depth	2mm
Backing Slot Depth	3mm
Corrosion Resistance	Excellent (suitable for outdoor use)
Applications	<ul style="list-style-type: none"> • Channel Letters • Light Box Returns • And More



♻️ AVAILABLE COLOURS



Black
AR-60-BLA-NAN



White
AR-60-WHI-NAN



Mill-Finish
AR-60-MIL-NAN