

AR-60-FM

60MM FM PROFILE

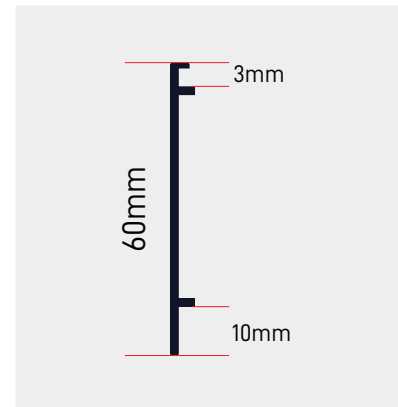
★ FEATURES

- Compatible with acrylic, aluminium and foamboard face and backing materials.
- Easy bending and shaping using automatic or manual bending machines and tools.
- Corrosion-resistant—suitable for indoor and outdoor environments.
- Fully recyclable & environmentally friendly.



📄 SPECIFICATIONS

Material	Aluminium Alloy
Surface Finish	Smooth, Colour Coated
Thickness	1mm
Length	3 meters, 5 meters
Height	60mm
Face Slot Depth	3mm
Backing Slot Depth	10mm
Corrosion Resistance	Excellent (suitable for outdoor use)
Applications	<ul style="list-style-type: none"> • Channel Letters • Light Box Returns • And More



♻️ AVAILABLE COLOURS



Black
AR-60-FM-BLA



White
AR-60-FM-WHI



Silver
AR-60-FM-SIL



Mill-Finish
AR-60-FM-MIL



Mill-Finish
AR-60-FM-MIL-5M